

Study of the Print Channel Monitor Interface

Kentaro IDE

<ide.kentaro@exc.epson.co.jp>

OpenPrinting WG Japan/Asia

Seiko Epson Corp.

15-17 November 2004



Agenda

🌸 Print Channel Monitor

- 🌸 Background
- 🌸 Requirement
- 🌸 APIs



Print Channel Manager

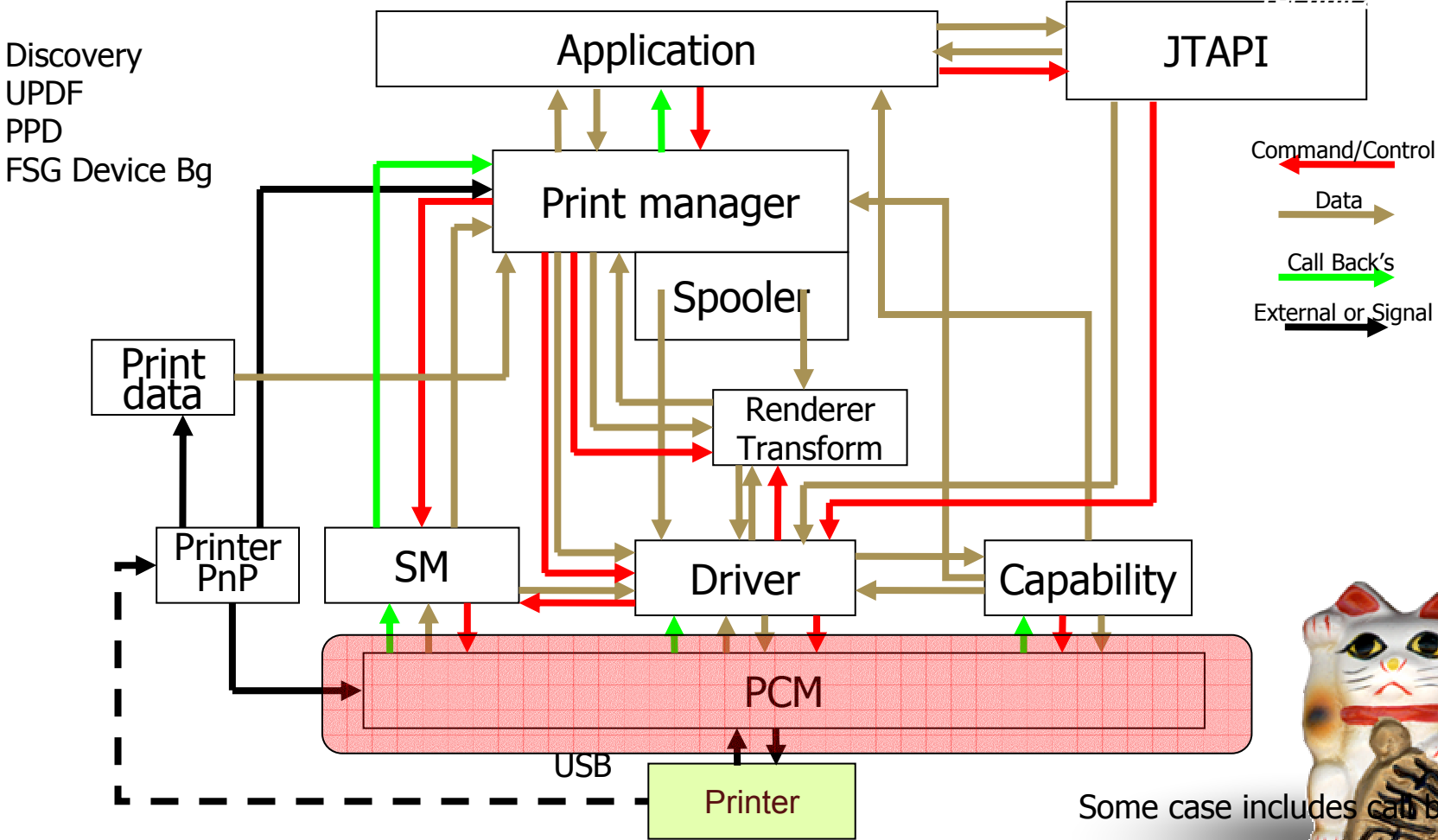


Background

- ❁ PCM will wrap the difference of physical layer and Vender depended protocol
 - ❁ Upper layer do not need to care about the difference of physical layer like USB, Parallel, Ethernet.
 - ❁ Wrap the difference of transaction protocol used by printer venders.
 - Port control between status port and data port have deep dependency with Vender specific protocol

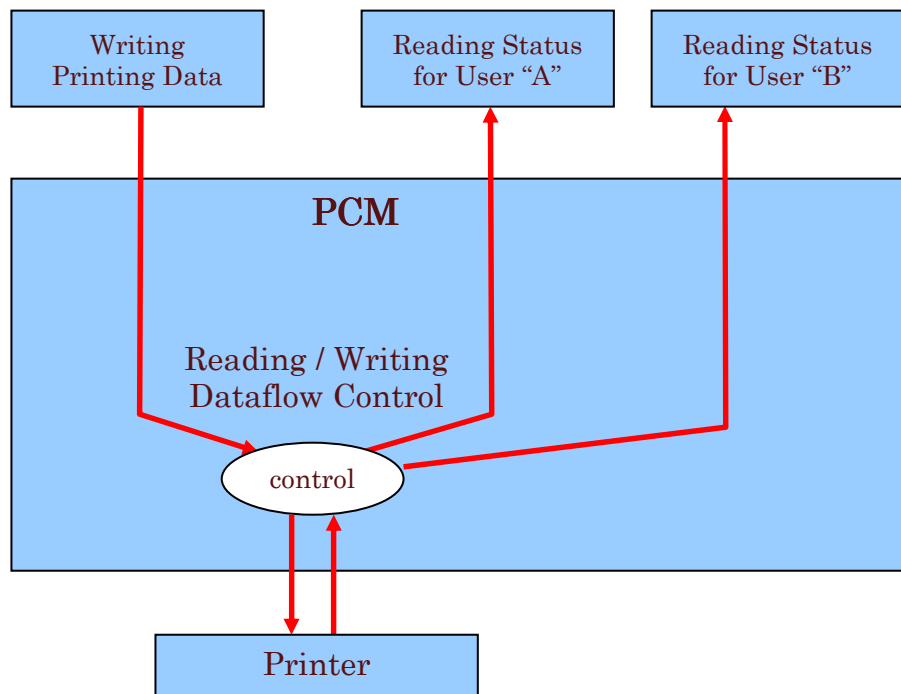


Background



Requirement

❁ PCM present port management functions



- Read/Write dataflow control
- Port arbitration with plural port
- Device arbitration
with plural device

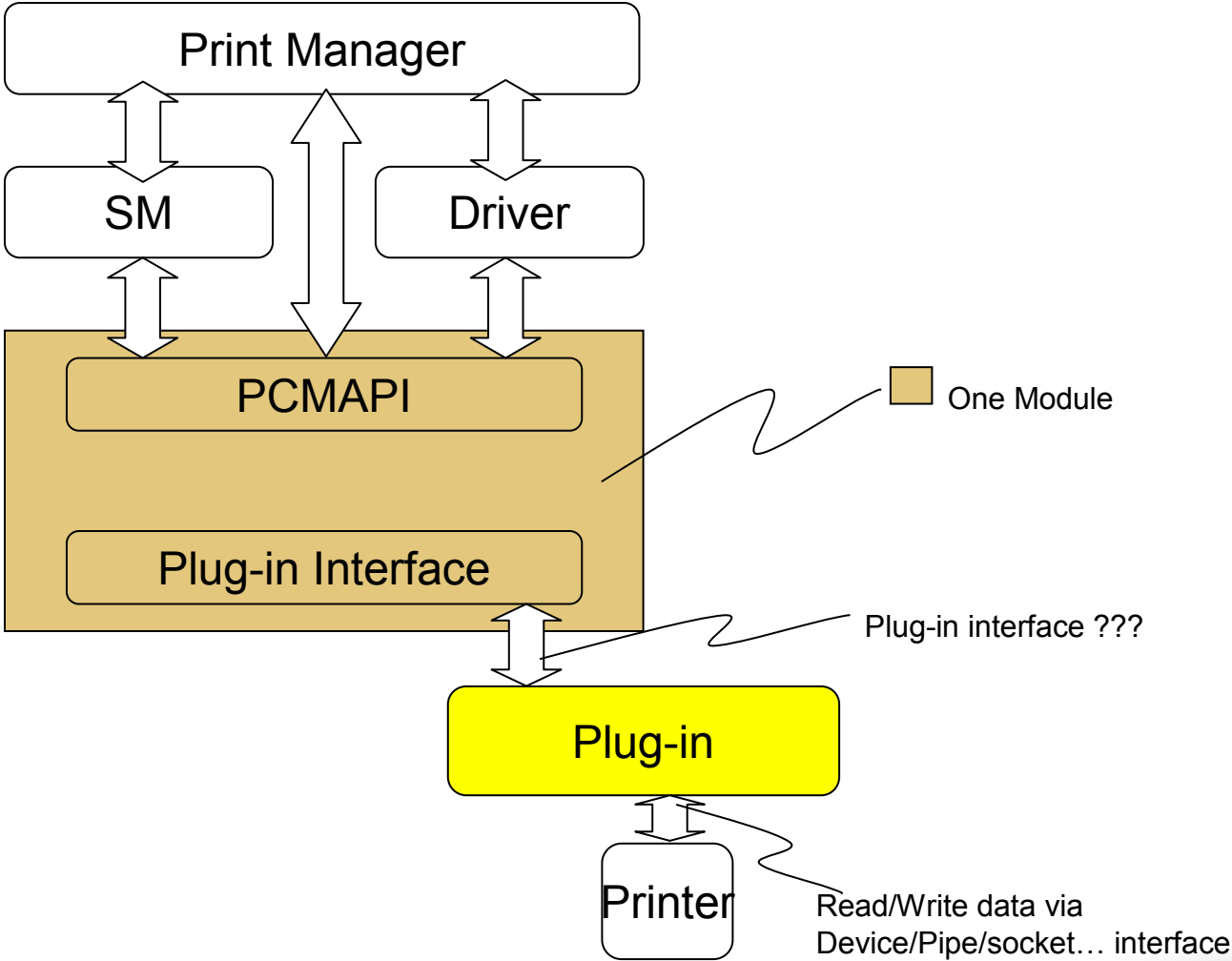


Requirement

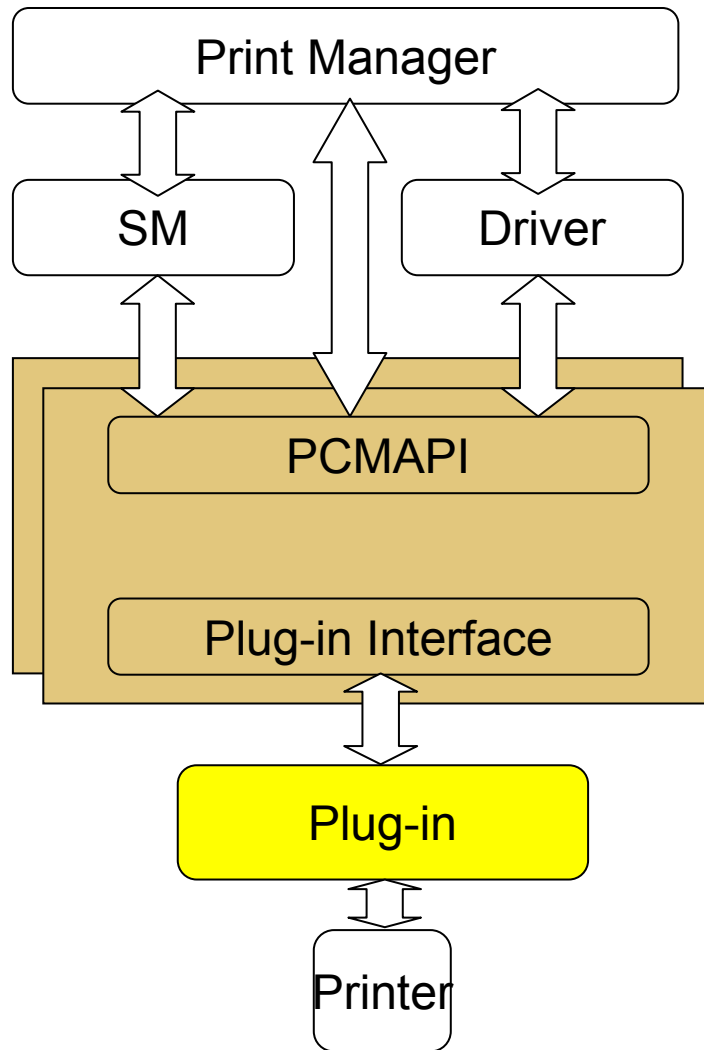
- ❁ PCM present port management functions
 - ❁ Printer selection
 - ❁ Port open/close by SM, Driver and extra
 - ❁ Data read/write by Driver
 - ❁ Status read by SM
 - ❁ Job control from upper module
 - ❁ Extra control port



Requirement - PCM working flow



Requirement - PCM working flow



1. Print Manager select Printer
2. PCM fork itself as "Reading / Writing Control Process" with linking a Plug-in
3. SM or Driver Read/Write via PCMAPI



APIs

Object control

- New
 - Create object for port management
 - One object will connect one device (in many case, printer)
 - PCM fork itself and link Plug-in
- Destroy
 - Destroy object

Port control

- Open
 - Open port for status, data or extra...
 - A kind of port specified by port ID
- Close
 - Close port specified by port ID



APIs

Job control

- StartJob
 - Declare the beginning of the printing job
- EndJob
 - Declare the end of the printing job
- CancelJob
 - Cancel the job specified by job ID

Data R/W

- Read
 - Read the specified byte length of a device
 - A kind of data specified by port ID
- Write
 - Write the specified byte length of a device
 - A kind of data specified by port ID



Open questions

- ❁ PCM Interface must be...
 - ❁ IPP?
 - ❁ Socket?
 - ❁ Named PIPE?
 - ❁ Or, anything else?

PCM is specification for OpenPrinting,
but want to grow as standard that
retrieve by other framework, isn't it?

